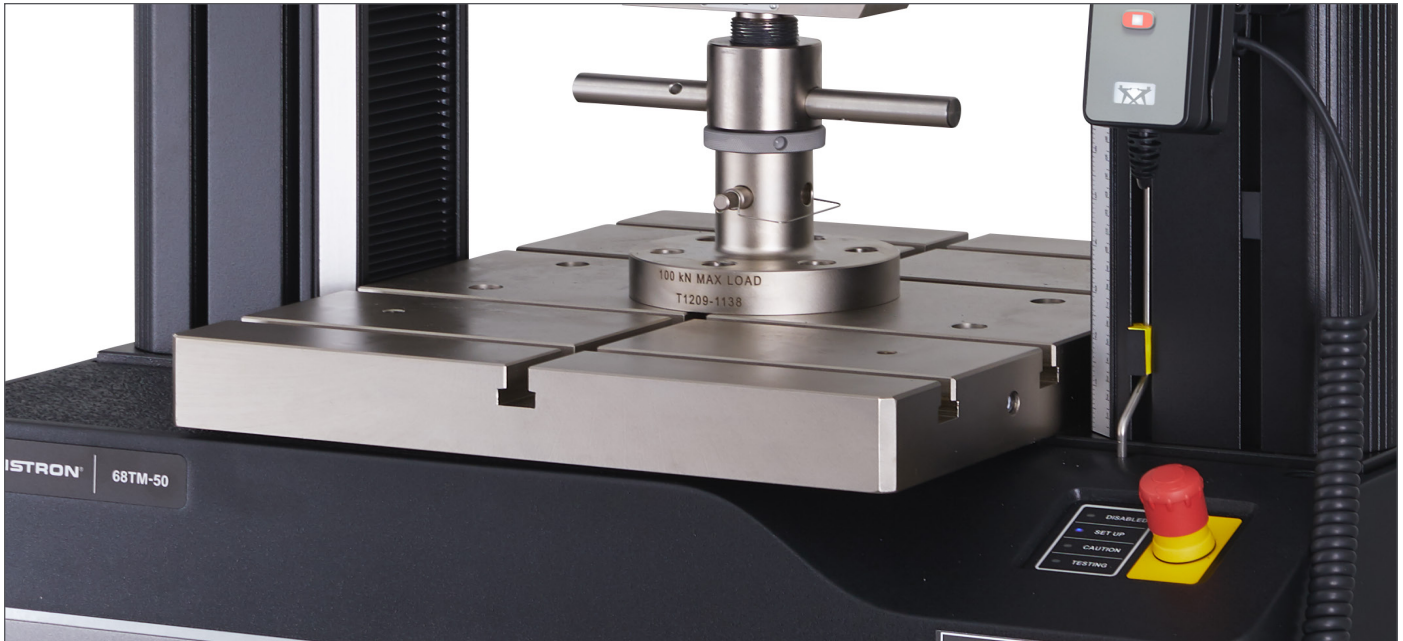


2850 SERIES T-SLOT TABLES

Catalog Numbers 2850-202, 203, 205, 206, CP103964



The T-slot table provides an extended work area primarily intended for clamping components or structures for performing tensile, compression or flexural tests.

The T-slot table is mounted directly on to the base platen of the machine and is equipped with T-slots running front to back, side to side, and diagonally. Components/ structures can then be secured in position on the table using the various clamping tools supplied. When installed, the t-slot table can be used for conventional testing by fixing a machine base adapter in the center of the table for the mounting of standard Instron grips, test fixtures and other major accessories.

PRINCIPLE OF OPERATION

T-slotted tables allow the attachment of fixtures in order to test odd size specimens within the test space of universal testing machines.

Commercially available T-slot nuts are slid into the inverted T-slot of the table. Bolts, studs, or threaded rods can then be threaded into the nuts. The T-slot table can be used to secure specimens that might otherwise be ejected from the test space under load.

The T-slot table can also be used to position specimens in the same location for repeated tests or batch testing of product. Guides, slides, or stops can be positioned on the table and bolted into position to allow precise placement of the specimens for every test.

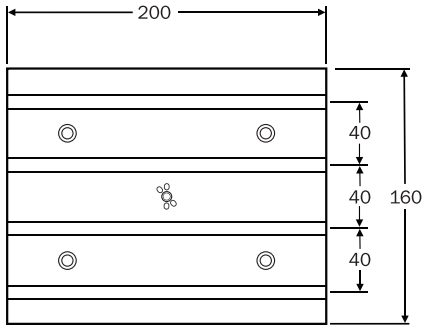
FEATURES AND BENEFITS

- Comprehensive set of clamping tools
- Permits the fixing of standard Instron® grips, test fixtures, and other major accessories for conventional testing

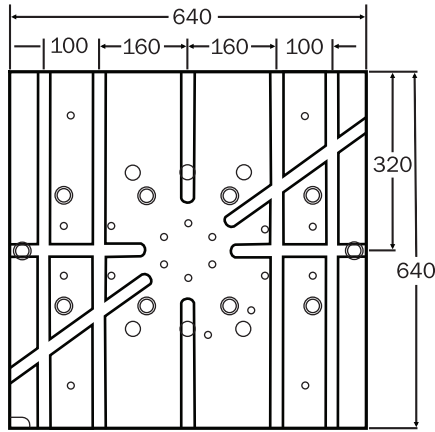
APPLICATION RANGE

- Allows the attachment of fixtures to test odd size specimens in the test space of universal testing machines

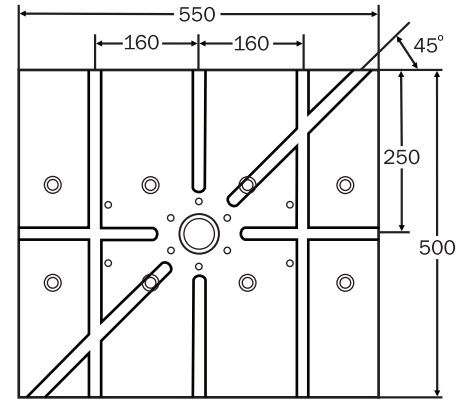
Note:
1. Diagrams not made to scale



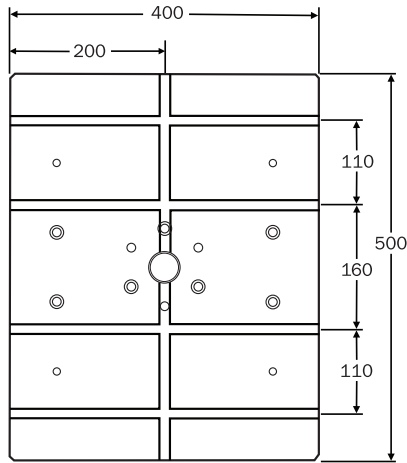
CP103964



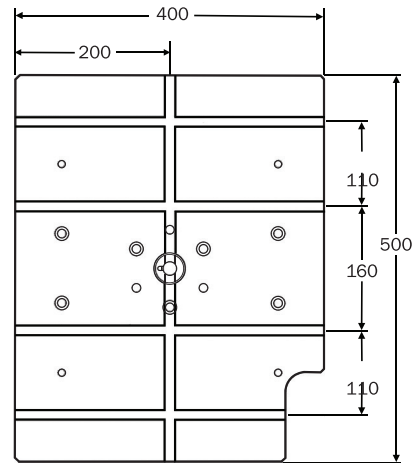
2850-202



2850-203



2850-205



2850-206

SPECIFICATIONS

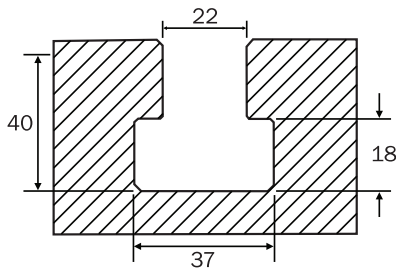
Catalog Number	Maximum Capacity			Compatible Frames	Width		Depth		Thickness		Weight		Hardness
	kN	kgf	lbf		mm	in	mm	in	mm	in	kg	lb	
CP103964	5	5100	1,125	3300, 3400, 4400, 5500, 5800, 5900, 6800 Series Single Column Systems	200	7.9	160	6.3	28	1.1	0.5	1.6	Aluminum
2850-206	50	5,000	11,250	3300 Series Dual Column Table Model Systems	400	15.7	500	19.7	50	2	70	155	No Heat Treat 4140 Alloy Steel
2850-205	50	5,000	11,250	3400, 4400, 5500, 5800, 5900, 6800 Series Dual Column Table Model Systems	400	15.7	500	19.7	50	2	77	170	No Heat Treat 4140 Alloy Steel
2850-203	300	30,000	67,400	3300, 3400, 4400, 5500, 5800, 5900, 6800 Series Floor Model Systems up to 300 kN Capacity	550	21.7	500	19.7	85	3.3	166	365	No Heat Treat 4140 Alloy Steel
2850-202	600	60,000	135,000	4400, 5500, 5800, 5900 Series Floor Model Systems Over 250 kN Capacity	640	25.2	640	25.2	90	3.5	245	540	No Heat Treat 4140 Alloy Steel

- Notes:
1. A basic kit of clamping hardware is provided
 2. The T nut and stud may be combined to produce a T bolt
 3. For accessory interface application refer to table below

ACCESSORY INTERFACE APPLICATION

	2850-202	2850-203
4 × M10 on 90 × 280 mm bolt pattern	•	•
4 × M10 on 90 × 450 mm bolt pattern	•	
6 × M10 on 100 mm Bolt Circle	•	•
75 mm clearance hole on center Provides access to M72 Lhf at base of frame	•	
M48 Lhf, 40 mm deep		•
M48 Lhf, 58 mm deep		

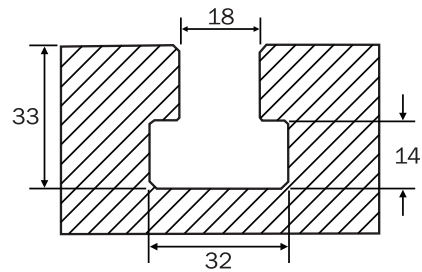
T-SLOT DIMENSIONAL LAYOUT



2850-202

Hardware tools included:

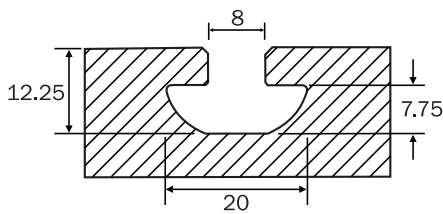
- 4 × M20 T Nut
- 4 × M20 Coupling nut
- 4 × M20 Flange nut
- 4 × M20 Washer
- 4 × M20 Spherical seating washer
- 4 × M20 × 150 mm stud
- 4 × M20 × 200 mm stud
- 4 × M20 × 250 mm stud



2850-203

Hardware tools included:

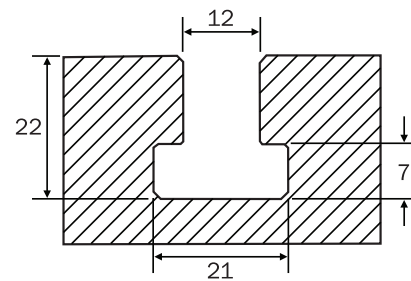
- 6 × M16 T Nut
- 4 × M16 Coupling nut
- 4 × M16 Stud, 80 mm (3.15 in) long
- 4 × M16 Stud, 110 mm (4.33 in) long
- 4 × M16 Stud, 150 mm (5.91 in) long
- 6 × M16 Flange nut



CP103964

Hardware tools included:

- 8 × T Nut
- 4 × M6 × 100 mm stud
- 4 × M6 Nut
- 4 × M6 Washer



2850-205 and 206

Hardware tools included:

- 4 × M10 Coupling nut
- 6 × M10 T Nut
- 6 × M10 Flange nut
- 4 × M10 × 70 mm stud
- 4 × M10 × 100 mm stud
- 4 × M10 × 150 mm stud

Note:
1. Diagrams not made to scale

www.instron.com



Worldwide Headquarters
825 University Ave, Norwood, MA 02062-2643, USA
Tel: +1 800 564 8378 or +1 781 575 5000

European Headquarters
Coronation Road, High Wycombe, Bucks HP12 3SY, UK
Tel: +44 1494 464646